

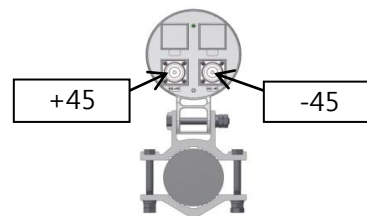
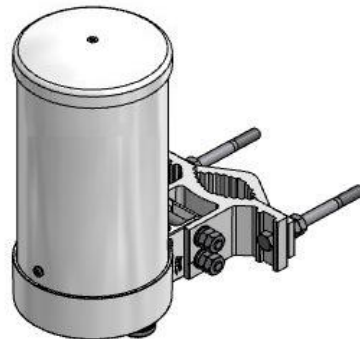
3G/4G Cylinder Type Antenna

1710~2170 MHz / 6.5 dBi

PI-CDP-06

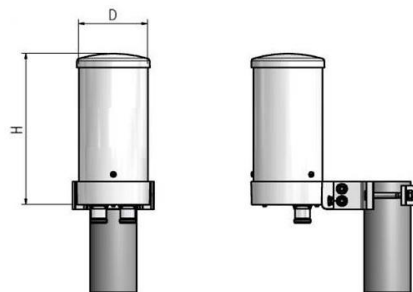
i. Electrical Specification

Frequency Range	1710 ~ 2170 MHz	
Polarization	±45°	
Band Width	460 MHz	
Gain	≥ 6.5 dBi	
Beam width	Horizontal	80 ± 15°
	Vertical	65 ± 10°
F-B ratio	Horizontal	≥ 13dB
	Vertical	
VSWR	≤ 1 : 1.5	
Isolation	≥ 25 dB	
Cross-Polar Ratio (CPR)	≥ 15 dB	
IMD (3rd)	≤ -150 dBc 2X43dBm	
Impedance	50 Ω	
Maximum input power	100 W	

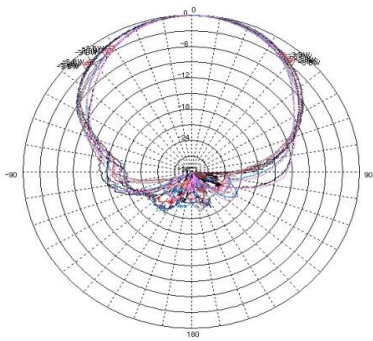


ii. Mechanical Specification

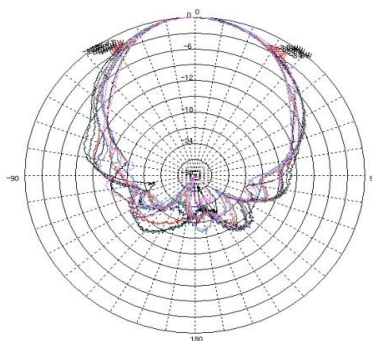
Radom Dimension (H x W x D)	Ø120 X 203 mm	
Weight (Exclude bracket)	≤ 1.2 Kg	
Connector Type	7/16" DIN-Female ×2	
Withstand Wind Pressure	60 m/sec	
Radome Material	ASA / FRP	
Mechanical Down Tilt	Up, Down ± 20°	



iii. Radiation Pattern



Horizontal Pattern



Vertical Pattern